

iSC GmbH
Customer Service
Eschenstraße 6
94405 Landau/Isar

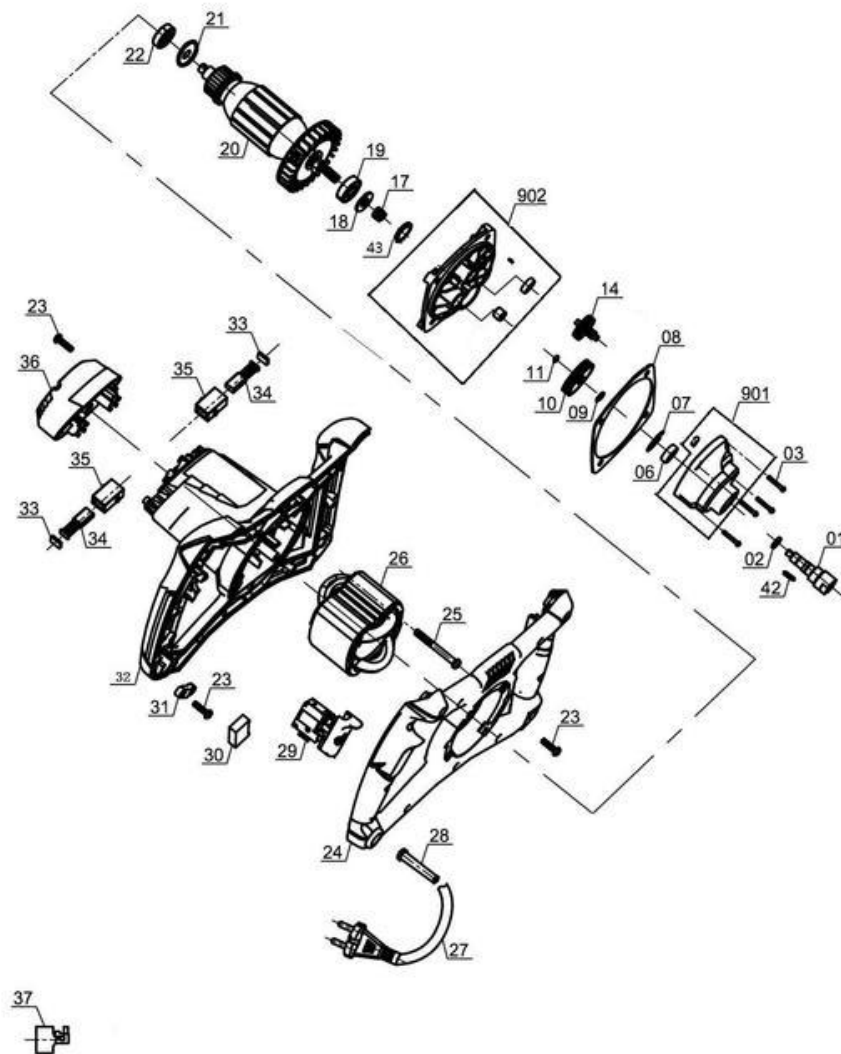
Telephone:
Email:

+49 9951 959 2019
service-de@einhell.com



Paint/Mortar Mixer
TC-MX 1200 E

Article number: 4258545
Ident number: 21020



Spare parts

Pos	Art.	Ident number	Product Name
	425854501099	00000	color box
001	425854501001	00000	output shaft
002	425854501002	00000	Skeleton oil seal
003	425854501003	00000	crossing tapping screw ST5x58
006	425854501006	00000	bearing 6002RS
007	425854501007	00000	circlip for hole
008	425854501008	00000	paper gasket
009	425854501009	00000	External Circlips
010	425854501010	00000	First gear
011	425854501011	00000	elastic collar?13
014	425854501014	00000	Two stage gear
017	425854501017	00000	Rotor spring
018	425854501018	00000	woolen washer
019	425854501019	00000	bearing 609RS
020	425854501020	00000	motor
021	425854501021	00000	scraper seal
022	425854501022	00000	bearing 608Z
023	425854501023	00000	crossing tapping screw ST4x16
024	425854501024	00000	handle cover
025	425854501025	00000	crossing tapping screw
026	425854501026	00000	stator
027	425854501027	00000	cable
028	425854501028	00000	cable sleeve
030	425854501030	00000	capacitance
031	425854501031	00000	cable plate
032	425854501032	00000	housing
033	425854501033	00000	carbon cover
034	425854501034	00000	carbon brush (pair)
035	425854501035	00000	carbon hold
036	425854501036	00000	back cover
037	425854501037	00000	Brush square
042	425854501042	00000	Cotter
043	425854501043	00000	O-ring
800	425854501800	00000	spanner
801	425854501801	00000	paddle
901	425854501901	00010	gear housing assy.
902	425854501902	00010	Middle cover assy.

gear housing assy.

Article number: 425854501901
Ident number: 00010

Spare parts

Pos	Art.	Ident number	Product Name
004	425854501004	00000	head housing
013	425854501013	00000	bearing 607

Middle cover assy.

Article number: 425854501902
Ident number: 00010

Spare parts

Pos	Art.	Ident number	Product Name
005	425854501005	00000	pin
012	425854501012	00000	needle bearing HK0810
015	425854501015	00000	bearing 627
016	425854501016	00000	middle cover